

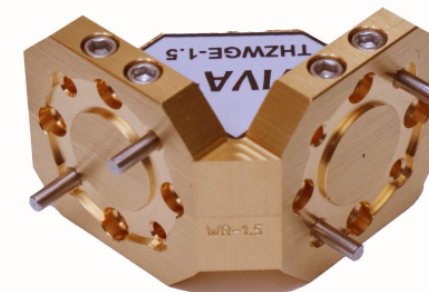
Waveguide Bends E and H Plane

General Features

- Frequency coverage: 50 – 1100 GHz
- 90 deg angle as standard
- E or H plane versions
- Precision machined from solid *
- Custom designs



THZWGH-06 90 deg H Plane Bend



THZWGE-1.5 90 deg E Plane Bend

Specifications

Model	Frequency Range (GHz)	VSWR (typical)	Waveguide (WR)	Flange (Standard)
THZWGE/H-15	50 – 75	< 1.1	WR 15	UG385/U
THZWGE/H-10	75 – 110	< 1.1	WR 10	UG387/U-M
THZWGE/H-08	90 – 140	< 1.1	WR 08	UG387/U-M
THZWGE/H-06	110 – 170	< 1.2	WR 06	UG387/U-M
THZWGE/H-05	140 – 220	< 1.2	WR 05	UG387/U-M
THZWGE/H-04	170 – 260	< 1.25	WR 04	UG387/U-M
THZWGE/H-03	225 – 325	< 1.5	WR 03	UG387/U-M
THZWGE/H-2.8	260 – 400	< 1.5	WR 2.8	UG387/U-M
THZWGE/H-2.2	330 – 500	< 1.5	WR 2.2	UG387/U-M
THZWGE/H-1.5	500 – 750	< 1.75	WR 1.5	UG387/U-M
THZWGE/H-1.0	750 - 1100	< 1.75	WR 1.0	UG387/U-M

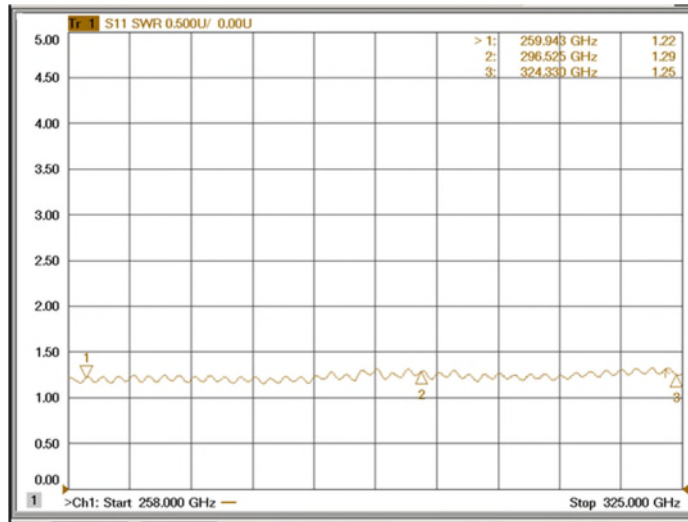
Notes

1. Model THZWGE-XX is an E plane 90 deg bend. Model THZWGH-XX is an H plane 90 deg bend.
2. Flange types above 110 GHz (WR10) may vary. Specify your flange requirement above WR10.
3. Bend material is copper or copper alloy gold plated.
4. * above 110 GHz. Below 110 GHz bends are gold plated copper or silver drawn waveguide.
5. VSWR values are typical based on samples, not tested individually. (Optional test on request)

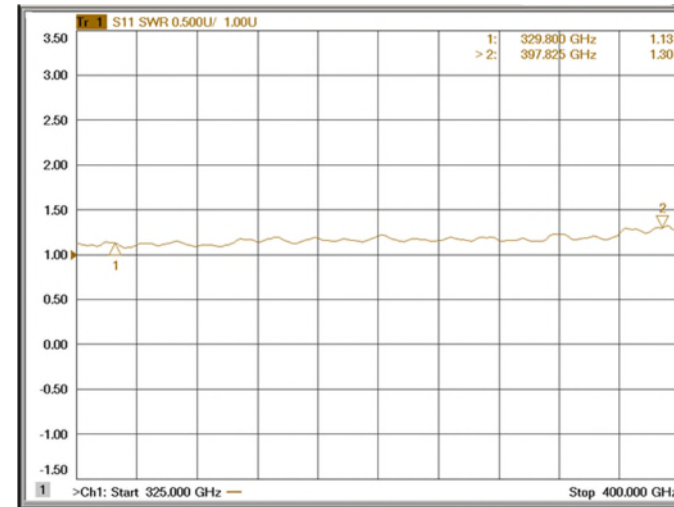


THZWGE-2.2 90 deg E Plane Bend

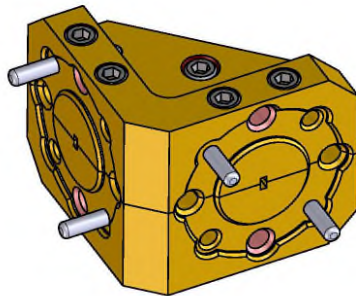
Waveguide Bends E and H Plane contd.



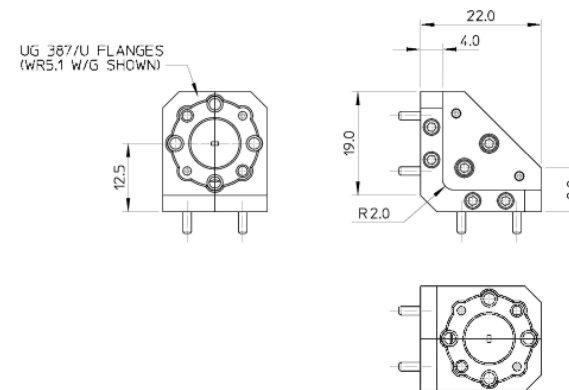
THZWGE-2.8 E Plane Bend VSWR 260-325 GHz



THZWGE-2.8 E Plane Bend VSWR 325-400 GHz



THZWGE/H 90 deg Bends



PART No.	DRG No.	TITLE	COMMENT
THZWGE-05	VT400-01	WAVEGUIDE E-BEND 90° WR5.1	AS DRAWN
THZWGE-04	VT400-02	WAVEGUIDE E-BEND 90° WR4.3	
THZWGE-2.8	VT400-03	WAVEGUIDE E-BEND 90° WR2.8	

THZWGE/H Outline Drawing